

# Bev Suits

# Swoop Pants

Office Use Only	
_____	Receipt Date
_____	Ship Date

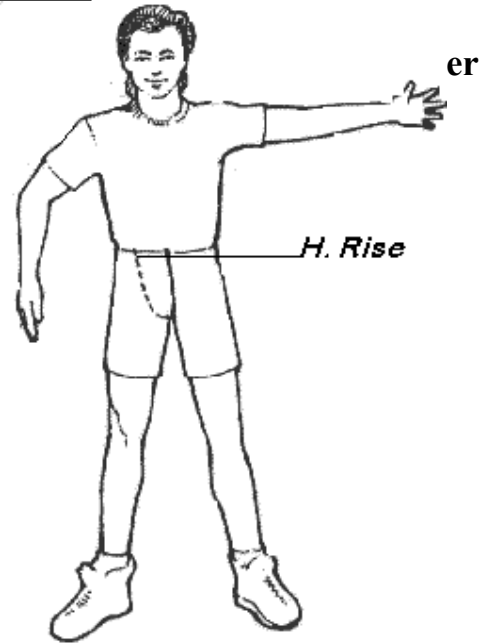
**NAME** \_\_\_\_\_  
**ADDRESS** \_\_\_\_\_  
**CITY** \_\_\_\_\_ **STATE** \_\_\_\_\_ **ZIP** \_\_\_\_\_  
**PHONE** \_\_\_\_\_ **EMAIL** \_\_\_\_\_  
**Shipping** \_\_\_\_\_

**Measurements-** Take measurements with the clothes on you would normally wear to skydive - include shoes.

- A. Waist \_\_\_\_\_
- B. Hips (fullest part) \_\_\_\_\_
- C. Upper Thigh (fullest part) \_\_\_\_\_
- D. Around and just above knee \_\_\_\_\_
- E. Crotch to just above knee \_\_\_\_\_
- F. Above knee to floor \_\_\_\_\_
- G. Crotch to floor \_\_\_\_\_ Regular Pants Inseam \_\_\_\_\_
- H. Rise (Waist down under crotch - back up to waist) \_\_\_\_\_
- I. Low Rise - if pants are worn below waist level \_\_\_\_\_

Height \_\_\_\_\_ Weight \_\_\_\_\_

Sex \_\_\_\_\_



<i>Price</i>	<i>See Other</i>
<b>Options</b>	
<b>Subtotal</b>	
<b>Rush \$20 / Double \$40</b>	
Pa Residents Add 6% Sales Tax	
<b>US Shipping Ground rate</b>	<b>18.00</b>
Call for other options	
<b>Total</b>	
<b>Balance Due</b>	
<i>Thank you for your order!</i>	

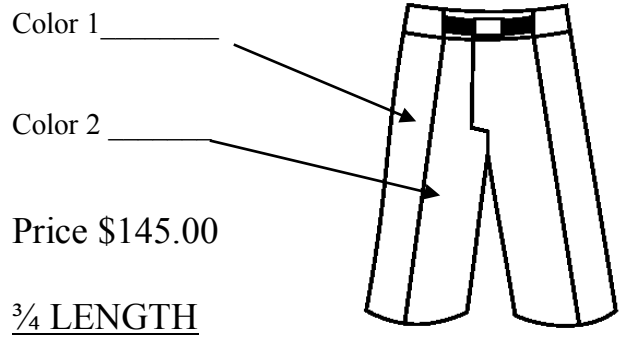
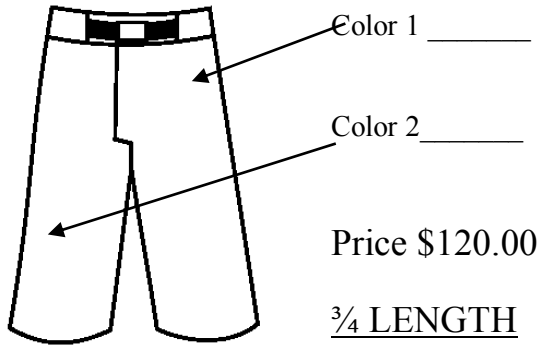
Payment Method: Check Money Order MasterCard Visa Discover

Expiration Date: \_\_\_\_/\_\_\_\_ (month/year) Security Code \_\_\_\_\_

--	--	--	--	--	--	--	--	--	--	--	--	--	--	--	--

Card Account Number **4% Service Charge on Credit Card Orders**

\_\_\_\_\_  
Name of Issuing Bank Customer Signature



Options:

- Cordura Seat \_\_\_\_\_ \$10.00
- Cordura Knees \_\_\_\_\_ \$10.00
- Side leg Stripes (2) Stripes \$40.00
- (3) Stripes \$50.00

Colors \_\_\_\_\_

Fabric: \_\_\_\_\_ Supplex \_\_\_\_\_ Polycotton

Special Instructions:  
\_\_\_\_\_  
\_\_\_\_\_

Features:

- Zipper front**
- Snap waist closure**
- Adjustable belt with squeeze buckle**
- Side zippered pocket with velcro flap**